

**Piezosignalgeber RMP-28SW12-PT** Art.-Nr. 185595

**Specification:**

TYPE	UNIT	RMP-28SW12-PT
• Min. Sound Output at 30cm	dB	85
Rated Voltage	VDC	12
Operating Voltage	VDC	8~15
Resonant Frequency	Hz	2800±100
• Max. Current Consumption	mA	25
Tone		Pulse
Puls Rate at Rated Voltage	Pulse/Sec	2-7
Operating Temperature	°C	-20~+70
Storage Temperature	°C	-30~+70
Weight	g	10

- Value applying at rated voltage

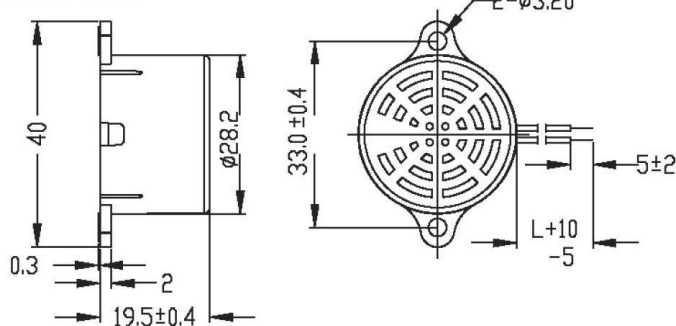
**Dimensions:**

(Unit: mm)

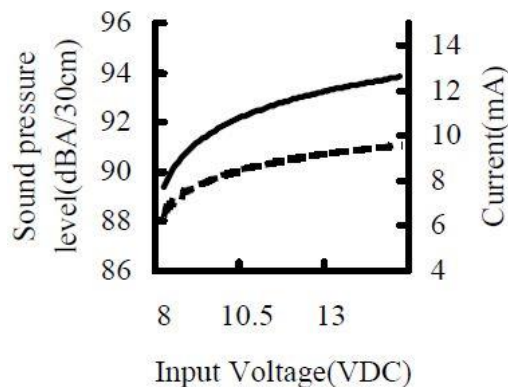
Wire: UL 1007 #28

AWG 28

LEAD TYPE



**Frequency response:**



Version 1 / 10/2021